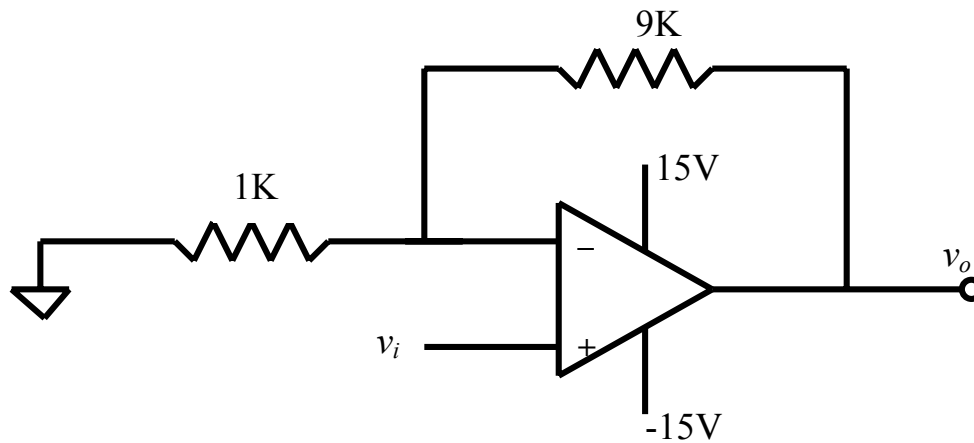


Special Problem 2.8-2

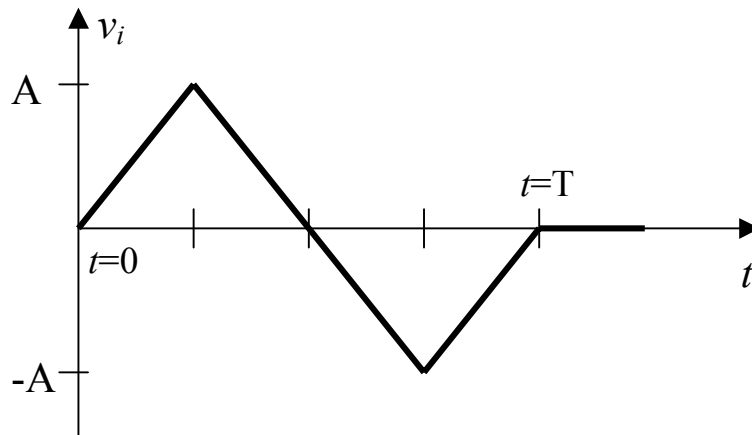
Consider the following amplifier:



The **Slew Rate** of the Op-Amp is $10\text{V}/\mu\text{s}$.

The D.C. **power supply** voltages are ± 15 Volts.

The **input** signal v_i is a triangle wave with **period T** and **magnitude A**:



- 1) If $T = 4 \mu\text{sec}$, what is the largest value of A that will produce a distortion-free output v_o ?
- 2) If $T = 8 \mu\text{sec}$, what is the largest value of A that will produce a distortion-free output v_o ?